







# Assembly Instruction

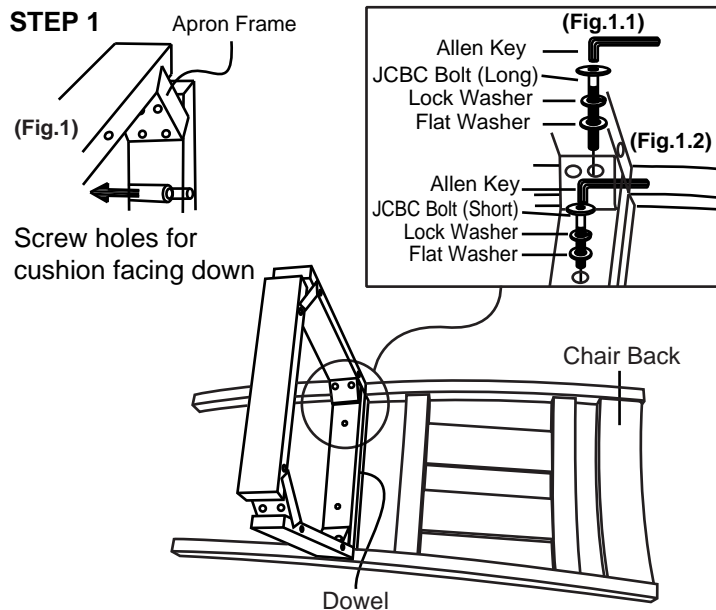
## SLAT BACK SIDE CHAIR

### HARDWARE PARTS :

					
Wood Screw 6 pcs	(Short) JCBC Bolt 2 pcs	(Long) JCBC Bolt 8 pcs	Lock Washer 10 pcs	Flat Washer 10 pcs	Allen Key 1 pce

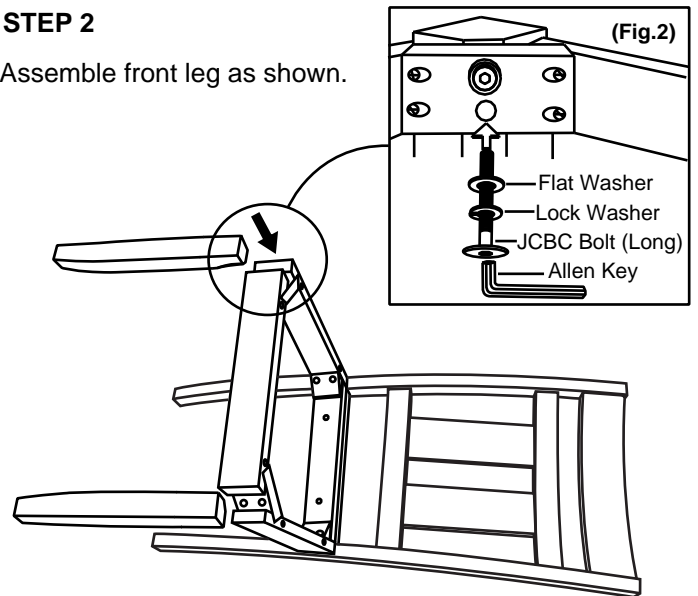
### ASSEMBLY:

1. Position the chair back on a soft surface such as a carpet. Place the chair apron frame on to the middle rail of the chair back with the dowel fully inserted into the pre-drilled hole. Make sure that the screw holes on the apron frame are facing down.
  - 1.1. Insert **JCBC Bolt (Long)** through a **Lock Washer** and a **Flat Washer** into the pre-drilled holes on the apron frame at rear corners.
  - 1.2. Insert the **JCBC Bolt (Short)** through a **Lock Washer** and a **Flat Washer** into the pre-drilled holes on the apron frame at rear rail.
2. Insert the **JCBC Bolt (Long)** through a **Lock Washer**, a **Flat Washer** and the pre-drilled holes of corner block into the pre-drilled holes on the front leg, tighten the **JCBC Bolt** with **Allen Key** provided.



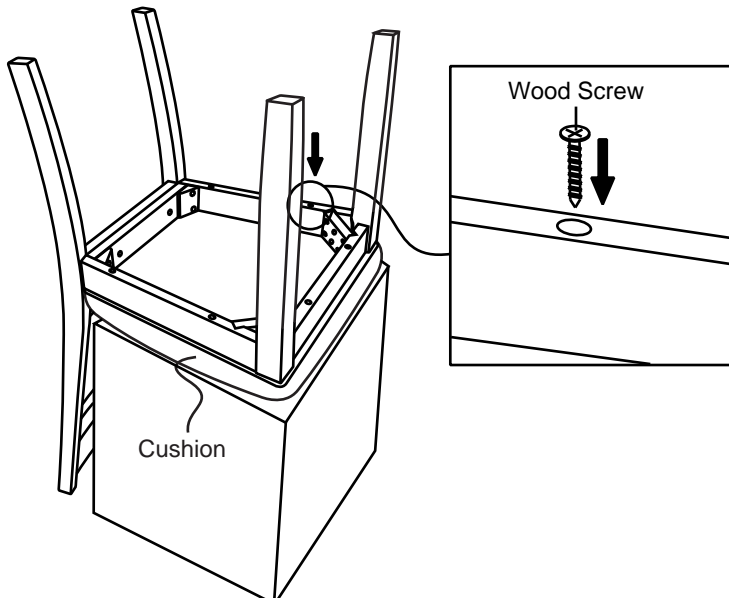
### STEP 2

Assemble front leg as shown.



### STEP 3

Flip chair upside down and secure the cushion with the **Wood Screw** through the pre-drilled holes on the apron frame.



### STEP 4

Turn the chair upright. Check its balance and tighten all screws and bolts to complete the assembly.

