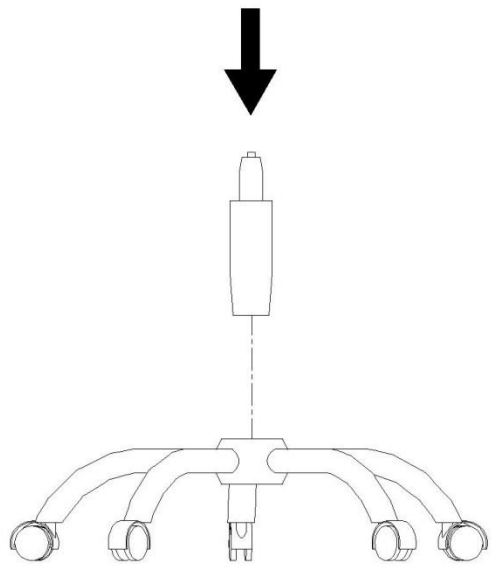
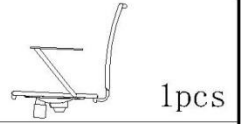
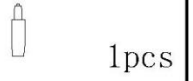
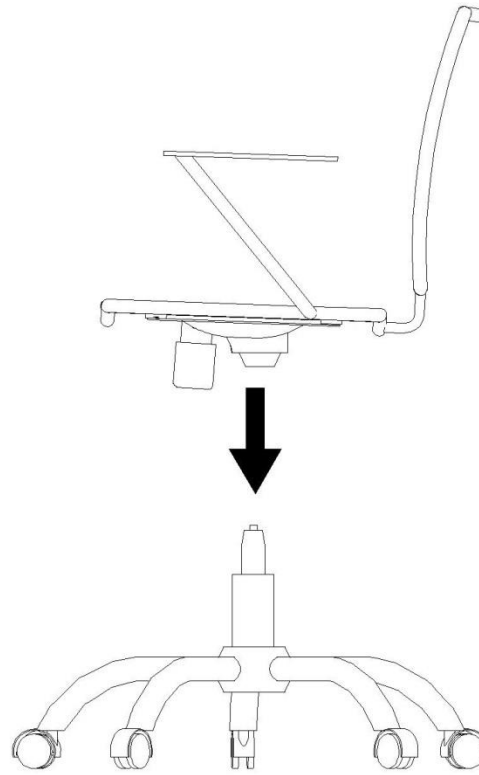
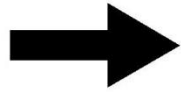


Assembly instruction

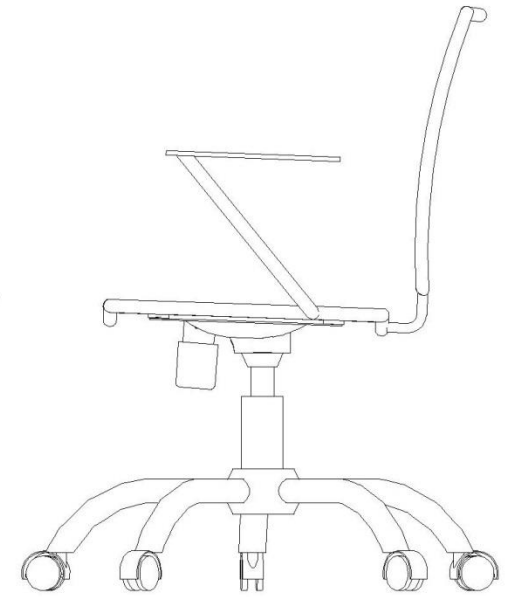
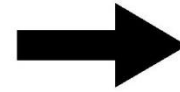
PARTS LIST



step1



step2



step3