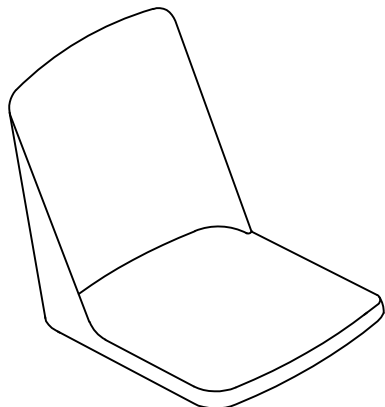


# ASSEMBLY INSTRUCTION

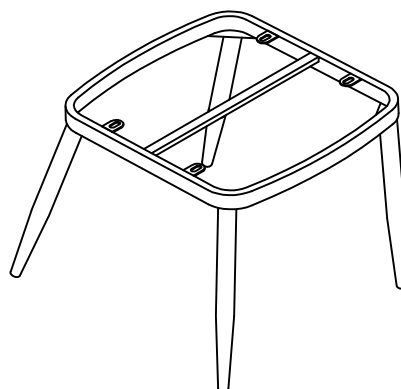
1. We suggest that you spend a short time reading through these instructions and follow the sample step by step example.
2. Do not discard any of the packaging until you have checked that you have all the parts and fittings.
3. Assemble this product on a flat surface.
4. Assemble all parts loosely before tightening any bolts.

## PARTS LIST

1.- 1 PC.



2.- 1 PC.



## FITTINGS

A.-M6x16-4pcs.



B.-4pcs.



C.-1Pc.



STEP 1 : put the chair seat and back on the frame .

STEP 2 : screw the seat under the frame .

